

E 25/7

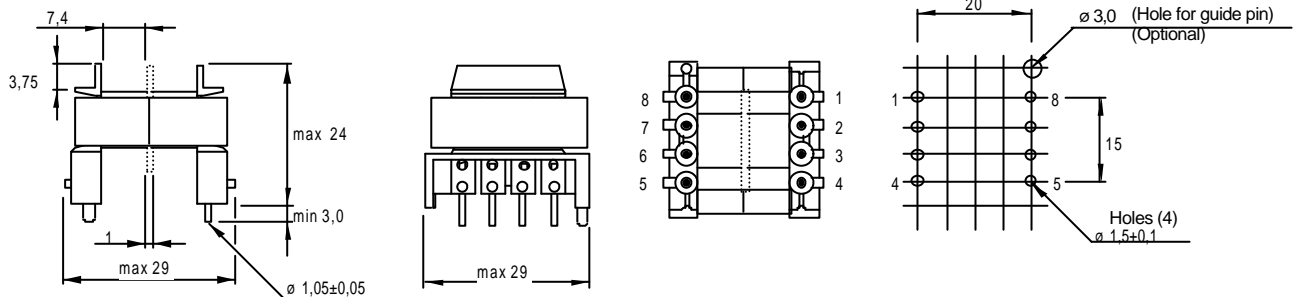
- E/W AND DRIVER TRANSFORMERS
- CONVERTER TRANSFORMERS
- INPUT AND CENTERING COILS
- A.C. LINE CHOKES

FEATURES:

This construction is suitable for converter transformers and also common mode noise suppression in A.C. lines and also for other ferrite transformers. The footprint conforms to the European standard and electrical safety is in accordance to I.E.C. 65 and EN 60950. Construction as shown in figure 1 meets the requirements of VDE also.

MECHANICAL DATA : E 25 / 7 / H /1S and 2S

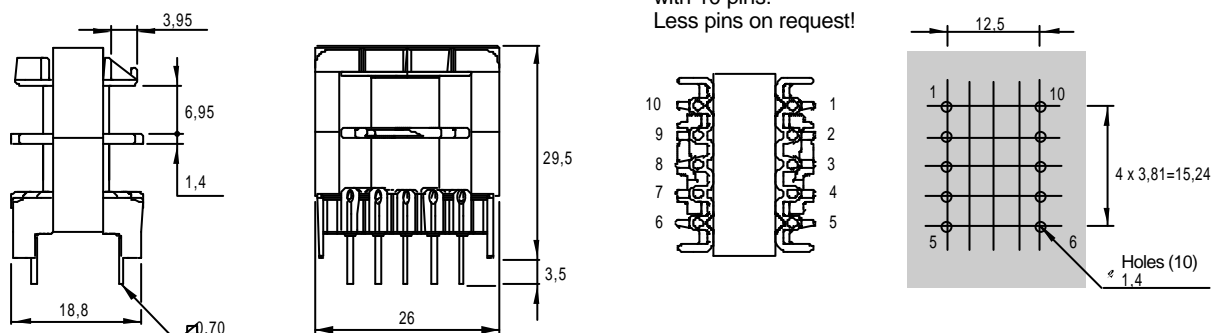
Figure 1



MECHANICAL DATA: E25/7/V/ 2S

(1S is optional)

Figure 2a (New design)



Bobbins are normally with 10 pins!
Less pins on request!

E 25/7

CORE SIZE:

E25/13/7 (EF25)
in accordance with IEC 1246

RATINGS:

Bobbin: Flame class UL 94 V-0
Temp class B
Wires: IEC 317, class B or F
Temperature range: -25 to +115 °C
Solderability: IEC 68-2-20 Test Ta

A.C. LINE CHOKES:

TECHNICAL DATA : E 25/7/H/1S AND 2S (figure 1)

Example	Inductance (mH) min. 1kHz	Rated current (A_{rms})	D.C. Resistance (Ω) approx.	Approx. weight (g)
1	30,0	0,5	< 130	28
2	12,0	1,0	< 0,6	28
3	5,0	2,0	< 0,3	28
4	0,5	4,0	< 0,1	28

Winding space A_N : 59,3 mm²(1S), 55,5 mm²(2S)
Mean length of one turn l_N : 53,4 mm
Max applicable wire \varnothing : 0.80 mm

TECHNICAL DATA : E 25/7/V/1S AND 2S (figure 2a and 2b)

Example	Inductance (mH) min. 1kHz	Rated current (A_{rms})	D.C. Resistance (Ω) approx.	Approx. weight (g)
1	30,0	0,5	< 130	28
2	12,0	1,0	< 0,6	28
3	5,0	1,5	< 0,3	28
4	0,5	2,0	< 0,15	28

Winding space A_N : 60,5 mm²(1S), 57,7 mm²(2S), 52 mm²(4S)
Mean length of one turn l_N : 53,4 mm
Max applicable wire \varnothing : 0,45 mm (0,50 mm)

MECHANICAL DATA: E25/7/V/4S

