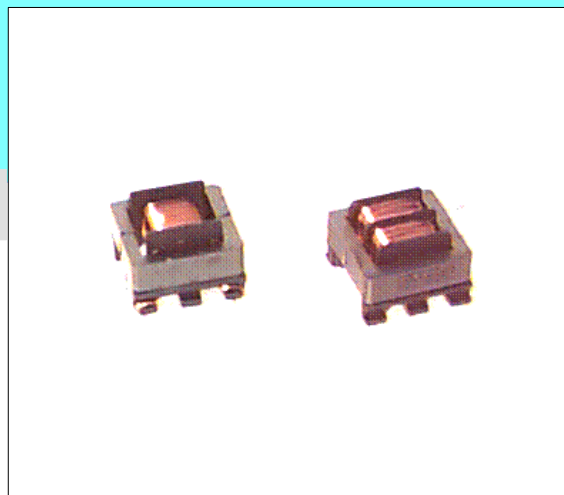


E 13 H 2S

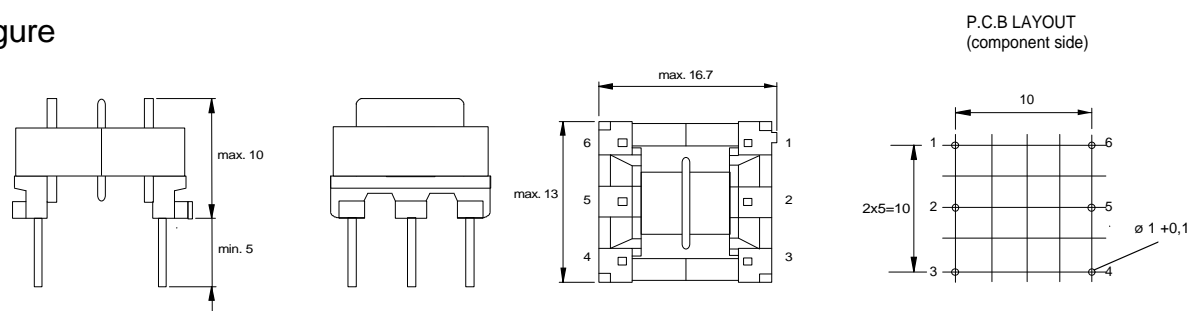


TRANSFORMER OF NEW GENERATION!

This new horizontal construction with 1 and 2 slots applicable for TV-sets, monitors, active PFC-chokes, DC-chokes, AC line filters, switch mode transformers up to 10 Watt.

MECHANICAL DATA : E 13 H 2S

Figure



TECHNICAL DATA :

Type / Serie	Power Watt	Operating frequency kHz	Bobbin UL94 V-0	Safety	Pins
E 13/7/4	10	10 - 5 000	Horizontal 1/2-sections		3+3

TYPICAL PRODUCT EXAMPLE :

Type / Serie	Power Watt	Operating frequency kHz	Topology	L_{LP} (primary leakage inductance)
E 13/7/4	3	50	Flyback	< 1% of primary inductance

Other tailored versions available.

This specifications are subject to change without notice.

Edition 10/1998

TRAFOMIC