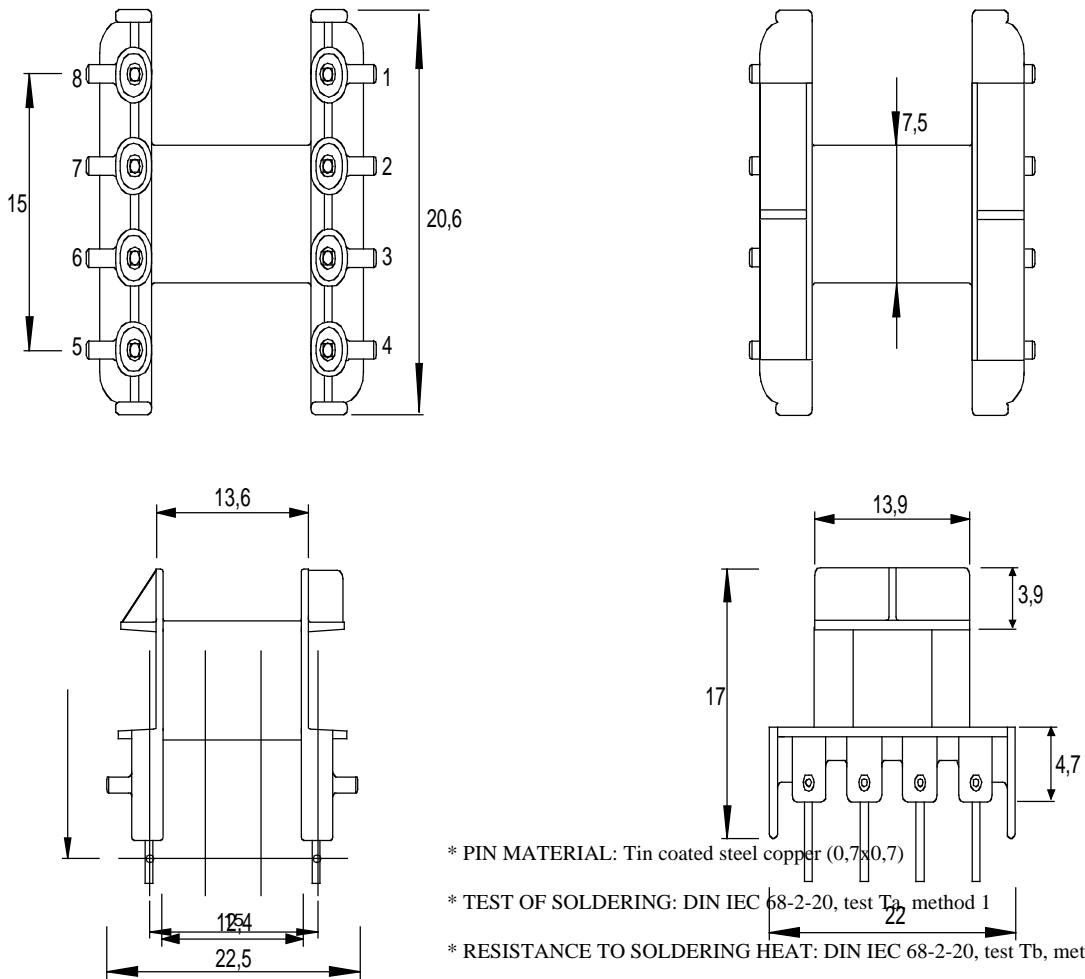


# Coil Former E20/10/6

## MECHANICAL DATA :



## TECHNICAL DATA :

COIL FORMER:	MATERIAL:	SECTIONS:	PINS:	AN:	ln:	ORDERING CODE:
E20/10/6 /HORIZONTAL	NYLON 46, UL94 V-0, H (180°C)	1	8 (full pinned) (0,7x0,7)	48,4mm <sup>2</sup>	45,6mm	FY3159
E20/10/6 /HORIZONTAL	NYLON 46, UL94 V-0, H (180°C)	1	1,2,3,4,6,7,8 (0,7x0,7)	48,4mm <sup>2</sup>	45,6mm	FY3159-1
E20/10/6 /HORIZONTAL	NYLON 46, UL94 V-0, H (180°C)	1	1,2,3,4,5,6,7 (0,7x0,7)	48,4mm <sup>2</sup>	45,6mm	FY3159-2

Ø1,3±0,1